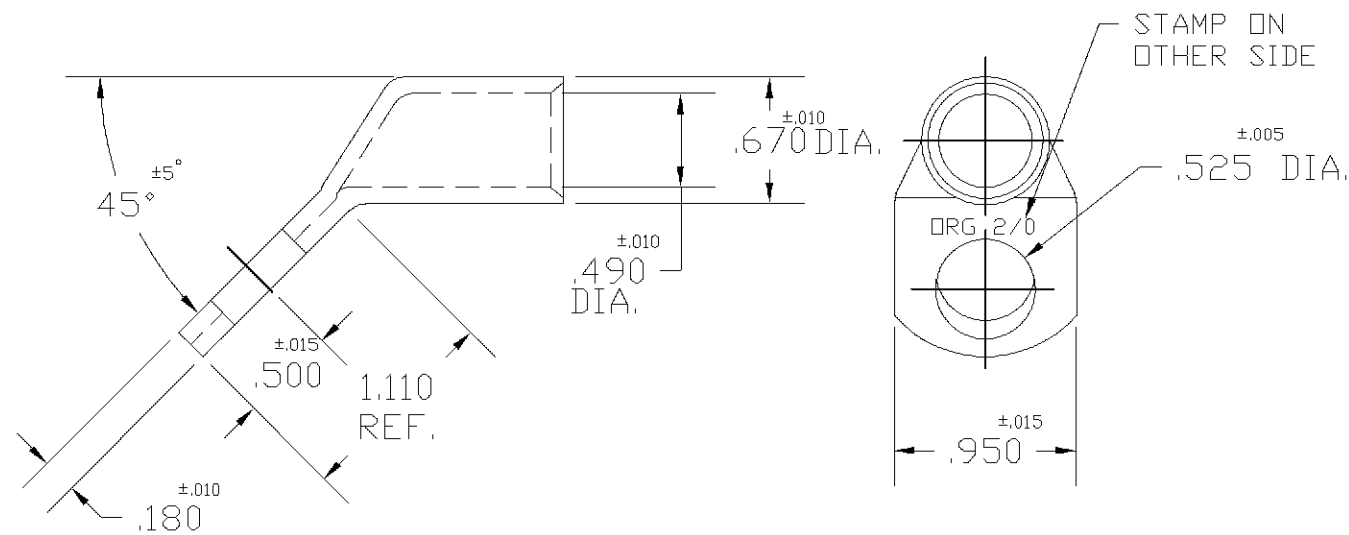


THIS DRAWING IS UNPUBLISHED. RELEASED FOR PUBLICATION
 © COPYRIGHT BY TYCO ELECTRONICS CORPORATION. ALL RIGHTS RESERVED.

LOC	DIST	REVISIONS					
		P	LTR	DESCRIPTION	DATE	DWN	APVD
G	86		0	TRANSFER TO TYCO FORMAT	12NOV01	JR	MS



ACTIVE	20509-09-45	STANDARD	TIN PLATED	1526062-2
STATUS	AET P/N	PACKAGING	FINISH	PART NUMBER

THIS DRAWING IS A CONTROLLED DOCUMENT.		DWN JR RUTH 23OCT01	Tyco Electronics Corporation Harrisburg, PA 17105-3608	
DIMENSIONS: INCHES		CHK MJ SPICER 12NOV01		
		APVD MJ SPICER 12NOV01	NAME #2/0 SUPER LUG AND BENT 45	
TOLERANCES UNLESS OTHERWISE SPECIFIED:		PRODUCT SPEC	RESTRICTED TO	
MATERIAL COPPER ASTM B-75		FINISH SEE TABLE	APPLICATION SPEC	SIZE A3
		WEIGHT -	CAGE CODE 00779	DRAWING NO C-1526062
		CUSTOMER DRAWING	SCALE 1:1	SHEET 1 OF 1
			REV 0	